

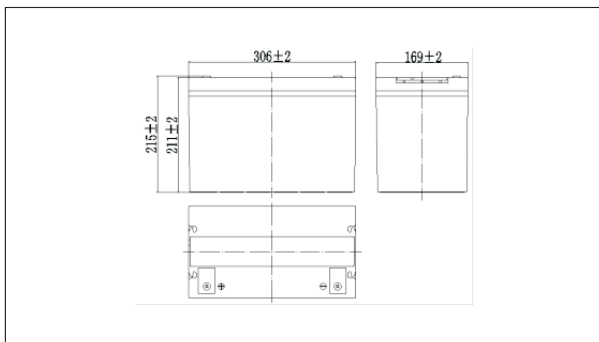
AB-BAT12V100AH-AB

● Specifications

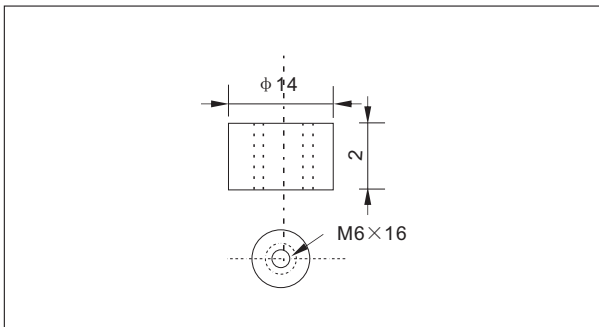
| | | |
|---------------------------|--------------------|--------------------|
| Nominal Voltage | 12V | |
| Number of cell | 6 cells | |
| Rated capacity(15min.rat) | 330 Watts/cell | |
| Dimensions | Length | 306±2mm(12.05inch) |
| | Width | 169±2mm(6.65inch) |
| | Height | 211±2mm(8.31inch) |
| | Total Height | 215±2mm(8.46inch) |
| Approx. Weight | 28.5kg(62.8lbs)±3% | |



● Outer dimensions (mm)



● Terminal Type (mm)



● Construction

| Component | Positive plate | Negative plate | Container | Cover | Separator | Electrolyte | Safety valve | Terminal |
|--------------|----------------|----------------|-----------|-------|-----------|---------------|--------------|----------|
| Raw material | Leaddioxide | Lead | ABS | ABS | AGM | Sulfuric acid | Rubber | Copper |

● Constant Current Discharge Characteristics Unit:A(25°C,77°F)

| F.V/Time | 10min | 15min | 20min | 30min | 45min | 60min | 2h | 3h | 4h | 5h | 6h |
|------------|-------|-------|-------|-------|-------|-------|------|------|------|------|------|
| 1.60V/cell | 215 | 176 | 141 | 99.8 | 74.4 | 60.7 | 34.7 | 24.9 | 20.1 | 17.4 | 14.9 |
| 1.67V/cell | 206 | 171 | 135 | 96.6 | 72.0 | 59.2 | 34.4 | 24.7 | 19.9 | 17.3 | 14.8 |
| 1.70V/cell | 200 | 166 | 132 | 94.8 | 70.6 | 58.2 | 34.2 | 24.6 | 19.8 | 17.2 | 14.7 |
| 1.75V/cell | 192 | 160 | 128 | 92.5 | 68.9 | 57.1 | 33.7 | 24.4 | 19.7 | 17.1 | 14.6 |
| 1.80V/cell | 181 | 151 | 121 | 89.1 | 66.4 | 55.3 | 32.8 | 23.7 | 19.1 | 16.6 | 14.2 |

● Constant Power Discharge Characteristics Unit:W(25°C,77°F)

| F.V/Time | 10min | 15min | 20min | 30min | 45min | 60min | 2h | 3h | 4h | 5h | 6h |
|------------|-------|-------|-------|-------|-------|-------|------|------|------|------|------|
| 1.60V/cell | 405 | 340 | 272 | 193 | 144 | 117 | 67.7 | 49.1 | 39.5 | 34.5 | 29.5 |
| 1.67V/cell | 386 | 330 | 261 | 186 | 139 | 114 | 67.1 | 48.6 | 39.2 | 34.2 | 29.3 |
| 1.70V/cell | 376 | 320 | 256 | 183 | 136 | 112 | 66.7 | 48.4 | 39.0 | 34.1 | 29.2 |
| 1.75V/cell | 360 | 309 | 247 | 179 | 133 | 110 | 65.7 | 48.1 | 38.7 | 33.9 | 29.0 |
| 1.80V/cell | 340 | 292 | 234 | 172 | 128 | 107 | 64.0 | 46.7 | 37.6 | 32.8 | 28.1 |

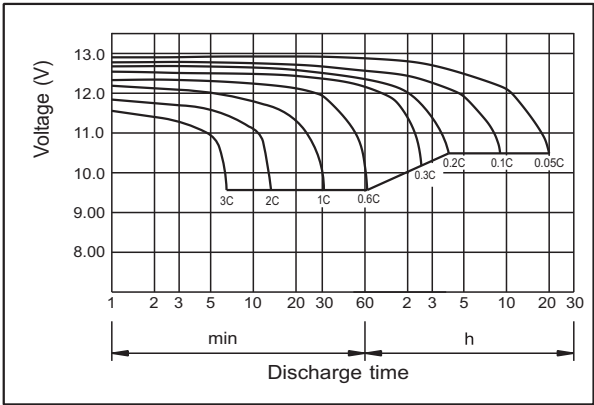
Note: The above characteristics data can be obtained within three charge or discharge cycles.

● Characteristics

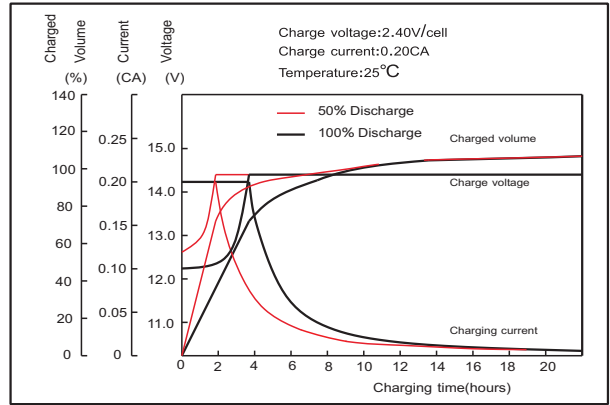
| | | |
|--|---|------------------------|
| Capacity(20HR,25°C) | 105Ah | |
| Capacity(10HR,25°C) | 100Ah | |
| Capacity(15min.rate,25°C) | 330 Watts/cell | |
| Terminal type | T14 | |
| Internal resistance (Fully charged,25°C) | Approx.5m Ω | |
| Capacity affected by temperature (10HR) | 40°C | 102% |
| | 25°C | 100% |
| | 0°C | 85% |
| | -15°C | 65% |
| Self-discharge (25°C) | 3month | Remaining Capacity:91% |
| | 6month | Remaining Capacity:82% |
| | 12month | Remaining Capacity:65% |
| Nominal operating temperature | 25°C ±3°C(77°F ±5°F) | |
| Operating temperature range | Discharge | -15°C~50°C(5°F~122°F) |
| | Charge | -10°C~50°C(14°F~122°F) |
| | Storage | -20°C~50°C(-4°F~122°F) |
| Float charging voltage(25°C) | 13.50 to 13.80V Temperature compensation: -18mV/°C | |
| Cyclic charging voltage(25°C) | 14.50 to 15.00V Temperature compensation: -30mV/°C | |
| Maximum charging current | 30A | |
| Terminal material | Copper | |
| Maximum discharge current | 800A(5 sec.) | |
| Designed floating life(20°C) | 10years | |

AB-BAT12V100AH-AB

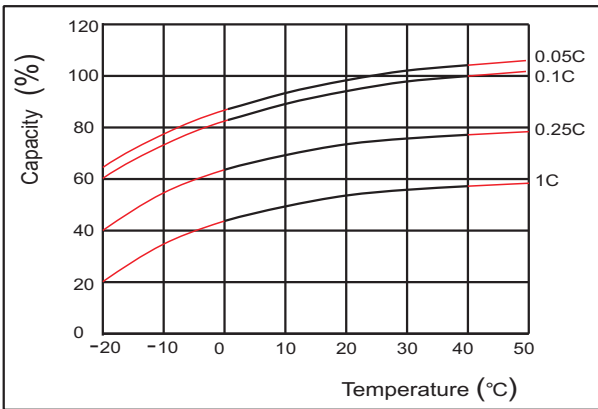
Discharge characteristics(25°C)



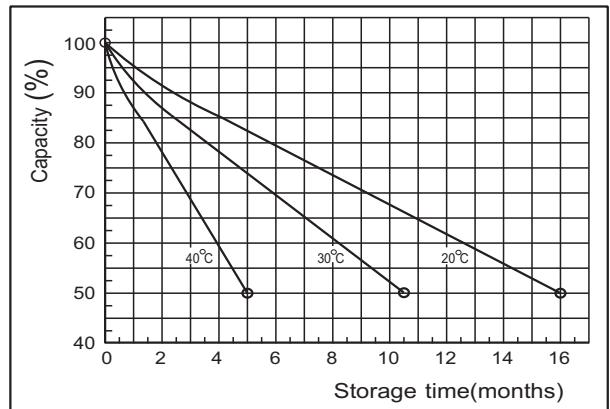
Charging characteristics (25°C)



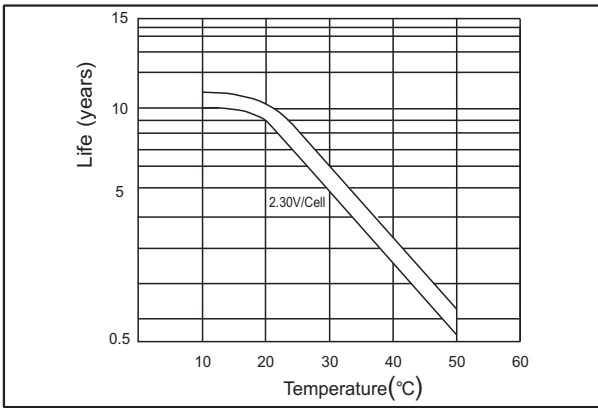
Effect of Temperature on Capacity



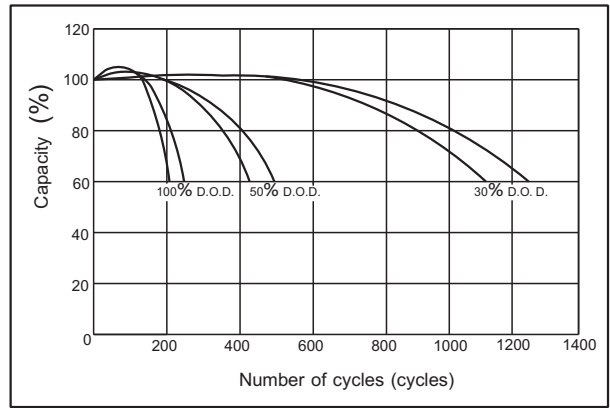
Self-discharge characteristics



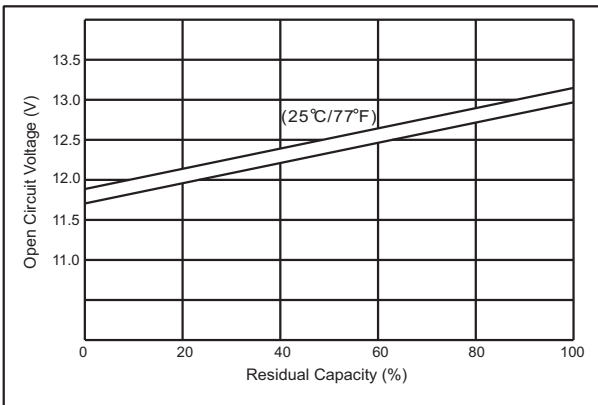
Floating Life on Temperature



Cycle service Life on D.O.D (25°C)



The relationship for OCV and Capacity (25°C)



The relationship for Charging voltage and Temperature

